

121-118R190 21" ERS SP Mulching Mower (1991)
Mower Assembly

Page 2 of 6

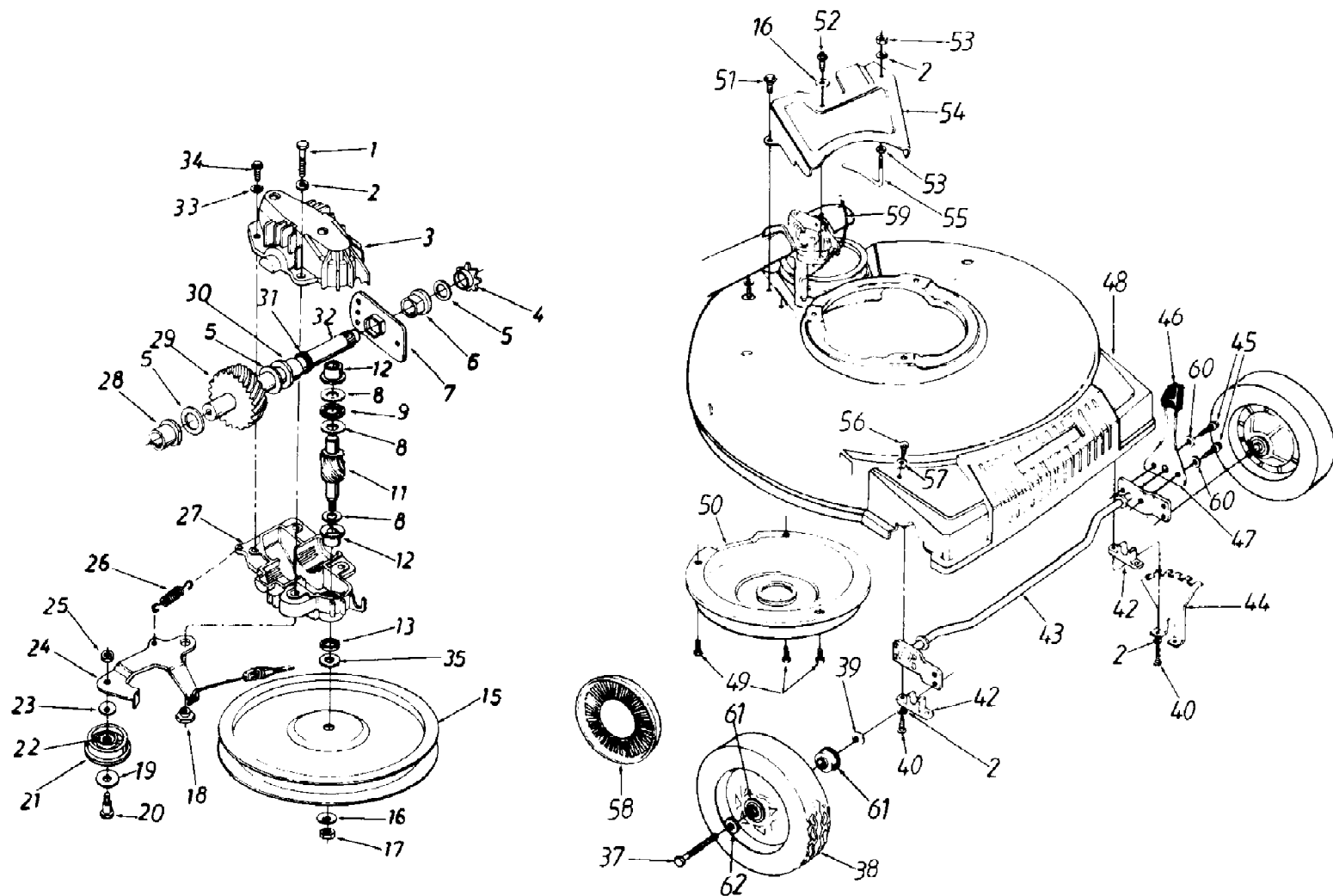
Ref #	Part Number	Qty	S/P/F	Description
1	720-0225	1	S	Grip
2	731-0609	1		Control Handle Ass'y.
3	710-1205	1	/P	Rope Guide Bolt
4	712-0324	1	/P	Hex L-Nut 1/4-20 Thd.
5	731-0524	1		Control Disc Pin
6	731-0816A	1		Clutch Panel Half
8	710-0796	1	/P	Truss Mach Scr. #12 x 1.5" Lg.
9	731-0528A	1	S	Throttle Control Lever
10	731-0817A	1	/P	Control Panel Half
11	731-0981A	1	S	Hub Cap
12	777-5814	1		Throttle Control Label
14	749-0757	1		Upper Handle
15	782-7522	1	S	Belt Cover
18	714-0104	1	S	Internal Cotter Pin 5/16" Dia.
19	746-0642	1	S	Throttle Control Wire 51" Lg.
20	753-0430	1		Kit-Control Housing Comp.
	712-0287	1	S	Hex Nut 1/4-20 Thd.
27	16855	1		Pawl Plate
31	731-1059	1	S	S.P. Control Cover
32	735-0639	1	/P	Spark Plug Insulator
35	749-0372B	1	S	Lower Handle
36		1		Engine
39	14835	1		Retaining Strip
42	682-7507	1		Chain-Axle Ass'y.
43	710-0352	1	/P	Hex B-Tap Scr. 1/4" X .38"
44	736-0270	1	/P	Bell-Wash. 1/4" I.D.
45	710-0776A	1	S	Hex AB-Tap Scr. 1/4 X .62"
47	712-0296	1	S	Hex Patch L-Nut 3/8-24 Thd.
48	713-0361	1	S	#48 Chain .500" Pitch x 38 Links
51	731-0672A	1	/P	Rear Flap 3.75" x 17.30" Lg.
52	726-0240	1	S	Cable Tie
55	753-0519	1		Blade Adapter Kit
56	742-0563	1	S	21" Mulching Blade
58	736-0453	1	S	Bell-Wash. 47" I.D. x 1.14n O.D.
60	710-0561	1		Hex Bolt 7/16-20 x 2.5"
61	748-0190	1	/P	Spacer .513" I.D.
63	736-0119	1	S	L-Wash. 5/16" I.D.
64	682-3006	1	S	R.H. Handle Wheel Brkt. Ass'y.
65	682-3007	1		L.H. Handle Wheel Brkt. Ass'y.
66	710-0260	1	S	Carriage Bolt 5/16-18 x .62
67	710-0603	1	/P	Hex B-Tap Scr. 5/16-18
68	710-0654A	1	/P	Hex TT-Tap Scr. 3/8-16
69	712-0267	1	S	Hex Nut 5/16-18 Thd.
70	720-0223	1		Grip
71	732-0580	1		Height Adj. Lever
73	736-0242	1	/P	Bell-Wash. 5/16" I.D.
74	750-0736	1	S	Spacer.383" I.D.
75	750-0624	1		Shld. Spacer .5" Dia.
80	738-0137	1		Shld. Scr. .342" Dia. x .268
81	748-0188B	1	S	Pawl
82	734-1510B	1	S	Wheel Ass'y. Comp.-Rear
84	741-0486B	1		Sleeve Bearing 1/2n I.D.
86	712-0189	1		Hex Nut 1/4-20 Thd.

121-118R190 21" ERS SP Mulching Mower (1991)
Mower Assembly

Page 3 of 6

Ref #	Part Number	Qty	S/P/F	Description
95	746-0712A	1		S.P. Cable-44" Lg.
96	754-0343	1	S	"V"-Belt
98	711-0313	1	S	Sleeve.526" I.D.
99	710-1055	1	/P	Hex Bolt 3/8-24 x 1.0" Lg.
100	712-0241	1	/P	Hex Nut 3/8-24 Thd.
101	736-0169	1	S	L-Wash. 3/8" I.D.
102	782-0015	1		21" Deck Ass'y.
114	731-1057	1	S	Self-Propelled Control Cover
115	731-1058	1	S	Self-Propelled Control Cover
116	731-0620	1	S	Control Lever
118	710-0841	1	/P	FI-"C"-Sunk Hd. Tap Scr. #10 x .75n Lg.
121	710-0671	1	S	Curved Carr. Bolt 5/16-18 x 1.38" Lg.
122	711-0805	1		Shld. Pin 1.43" Lg.
123	736-0169	1	S	L-Wash. 3/8" I.D.
125	748-0332	1		Crankshaft Spacer
126	736-0450	1	S	Bell-Wash. 1.01" I.D.
127	756-0502	1	S	Serrated Pulley Half
128	712-0711	1	/P	Hex Jam Nut 3/8-24 Thd.
129	746-0476A	1	S	Control Cable-39"
130	748-0318	1	S	Ratchet Wheel 1.62" O.D.
131	714-0115	1	S	Cotter Pin 1/8" Dia. x 1
134	741-0522	1	S	Hex Flange Bearing
136		1		0 Spring-Nylon
138	682-7506	1		Chain Cover Ass'y.
140	710-0599	1	/P	Hex S-Tap Scr. 1/4-20 x .50n
147	738-0864	1	S	Rear Shaft Ass'y. 21.44n Lg.
148	741-0324	1	S	Hex Flange Brg. .506n I.D.
149	736-0160	1	S	FI-Wash. .531" I.D. x .930"
152	710-0751	1	/P	Hex Bolt 1/4-20 x .62" Lg. (Grade 5)
153	717-0417B	1	S	Transmission Comp. (See Breakdown)
154	16500A	1	S	Hex Bearing Cup
155	736-0300	1	S	FI-Wash. .885" I.D. x .87" O.D.

121-118R190 21" ERS SP Mulching Mower (1991)
Transmission & Axle Assembly



Ref #	Part Number	Qty	S/P/F	Description
1	710-1062	1	F	Hex Patch Bolt 1/4-20 x 1.25n
2	736-0329	1	S	L-Wash. 1/4" I.D.
3	717-0418A	1	/P/F	Upper Hsg. Half
4	713-0400	1	F	#48 Sprocket 7 T x 1/2 Pitch
5	736-0336	1	S/F	FI-Wash. 5/8n I.D. x .030
6	741-0413	1	S/F	Hex Flange Brg. .631n I.D.
7	16500A	1	S/F	Hex Bearing CUp
8	736-0314	1	S/F	Thrust Wash. .382" I.D. x .70" O.D.
9	741-0479	1	F	Thrust Bearing .375" I.D. x .812" O.D.
11	717-1216	1	S/F	11 Tooth Pinion Shaft
12	748-0208A	1	/P/F	Flange Bearing
13	721-0212	1	F	Oil Seal
15	756-0330A	1	/P	FI-Pulley 5.06" O.D.
16	736-0270	1	/P	Bell-Wash. .265" I.D. x .75"
17	712-0351	1	S	Hex L-Nut 1/4-28 L.H. Thd.
18	738-0440	1		Shld. Spacer .375" Dia. x .170
19	736-0344	1	S	FI-Wash. .890" I.D. x 1.0"
20	738-0826	1	S	Shld. Bolt .375" Dia. x .40"
21	756-0558	1	S	FI-Idler Plastic 1.50" Dia.
22	741-0556	1	S	Needle Brg. .375" x .31
23		1		UNKNOWN
24	17052A	1	/P	Idler Brk't. Ass'y.
25	712-0138	1	S	Hex Patch L-Nut 1/4-28 Thd.
26	732-0357	1	S	Extension Spring 1.12" Lg.
27	717-0419A	1	S/F	Lower Hsg. Half
28	741-0415	1	S/F	Flange Bearing .566 Dia.
29	717-0422A	1	S/F	33 Tooth Helical Gear
30	741-0414	1	F	Flange Bearing .629 Dia.
31	721-0213	1	/P/F	Oil Seal .625 Dia.
32	738-0607A	1	S/F	Gear Sprocket Shaft
33	736-0722	1	S/F	L-Wash. #10 I.D.
34	710-0436	1	S/F	Hex B-Tap Scr. #10 x .62n
35	736-0410	1	S	Hex Washer .26" x .88"
	717-0417B	1	S	Transmission Comp.
37	738-0102	1	S	Front Axle Bolt
38	734-1512A	1	S	Wheel Ass'y. Comp. 8 x 2"
39	736-0105	1	/P	Bell-Wash. 380" I.D. x .88
40	710-0588	1	S	Hex B-Tap Scr. 1/4-20
42	741-0492A	1	/P	Block Bushing
43	17733	1	S	Axle Ass'y.
44	17059	1		Height Adj. Bracket
45	710-0653	1	/P	Hex TT-Tap Scr. 1/4-20 x 38"
46	720-0190	1	S	Knob
47	732-0639	1		Spring Lever
48	731-0865	1	S	Plastic Front End
49	710-0352	1	/P	Hex B-Tap Scr. 1/4" x .38"
50	782-7522	1	S	Belt Cover
51	710-0599	1	/P	Hex Wash. Hd. TT-Scr. 1/4-20
52	710-0896	1	/P	Hex Wash. Hd. B-Tap Scr. 1/4 x .62" (Spec.)
53	712-0287	1	S	Hex Nut 1/4-20 Thd.
54	17058A	1	S	Transmission Belt Guard
55	747-0549	1		S.P. Belt Guard
56	710-1001			Scr. 5/16 x 75"

121-118R190 21" ERS SP Mulching Mower (1991)
Transmission & Axle Assembly

Page 6 of 6

Ref #	Part Number	Qty	S/P/F	Description
57	736-0242	1	/P	Bell-Wash. .345" I.D. x .88"
58	731-0981A	1	S	Hub Cap
59	746-0712A	1		S.P. Cable 44" Lg.
60	736-0222	1	S	External L-Wash. 1/4" I.D.
61	741-0180	1	S	Ball Bearing 1/2" I.D.
62	736-0232	1	S	Wave Wash. 53" I.D. x .78"